

Experimental Quantum Teleportation

Runar Sandnes and Christopher A. Dirdal Dec. 13th

Background

- ▶ Teleportation: Complete transfer of information about the quantum state.
- ▶ Would require an infinite ensemble of the state to be transferred and an infinite amount of classical information.

$$|\Psi\rangle = \alpha|0\rangle + \beta|1\rangle$$

- ▶ However, using entanglement and only two bits of classical information, a scheme for teleportation has been devised.



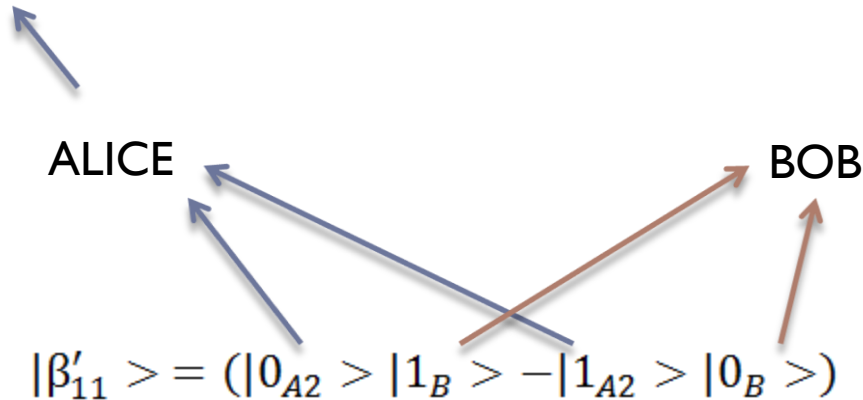
Outline

- ▶ Principles of Quantum Teleportation
- ▶ Experimental realizations of teleportation:
 - ▶ 1997: Photons
 - ▶ 1998: Trichloroethylene using Nuclear Magnetic Resonance
 - ▶ 2004: Ion Trap
- ▶ Conclusion and Outlook



Principle of Quantum Teleportation (1 / 2)

$$|\Psi_s\rangle = \alpha|0_{A1}\rangle + \beta|1_{A1}\rangle$$



▶ Source qubit

▶ Two Parties

▶ Entangled pair

$$|\Psi_{\text{sys}}\rangle = |\Psi_s\rangle \otimes (|0_{A2}\rangle|1_B\rangle - |1_{A2}\rangle|0_B\rangle)$$

▶ State of system



Principle of Quantum Teleportation (2/2)

$$\begin{aligned}
 |\Psi_{sys}\rangle &= c_{00}\beta_{00} + c_{10}\beta_{10} + c_{01}\beta_{01} + c_{11}\beta_{11} \\
 &= -i\sigma_y|\Psi_s\rangle (|0_{A1}\rangle|0_{A2}\rangle + |1_{A1}\rangle|1_{A2}\rangle) \\
 &\quad + \sigma_x|\Psi_s\rangle (|0_{A1}\rangle|0_{A2}\rangle - |1_{A1}\rangle|1_{A2}\rangle) \\
 &\quad - \sigma_z|\Psi_s\rangle (|0_{A1}\rangle|1_{A2}\rangle + |1_{A1}\rangle|0_{A2}\rangle) \\
 &\quad + |\Psi_s\rangle (|0_{A1}\rangle|1_{A2}\rangle - |1_{A1}\rangle|0_{A2}\rangle)
 \end{aligned}$$

- ▶ Change to Bell basis of Alice's qubits (A1 & A2)

ALICE	BOB
┌───┐	┌───┐
└───┘	└───┘
$\beta_{00} \rightarrow$	$-i\sigma_y \Psi_s\rangle$
$\beta_{10} \rightarrow$	$\sigma_x \Psi_s\rangle$
$\beta_{01} \rightarrow$	$-\sigma_z \Psi_s\rangle$
$\beta_{11} \rightarrow$	$ \Psi_s\rangle$

CLASSICAL INFORMATION

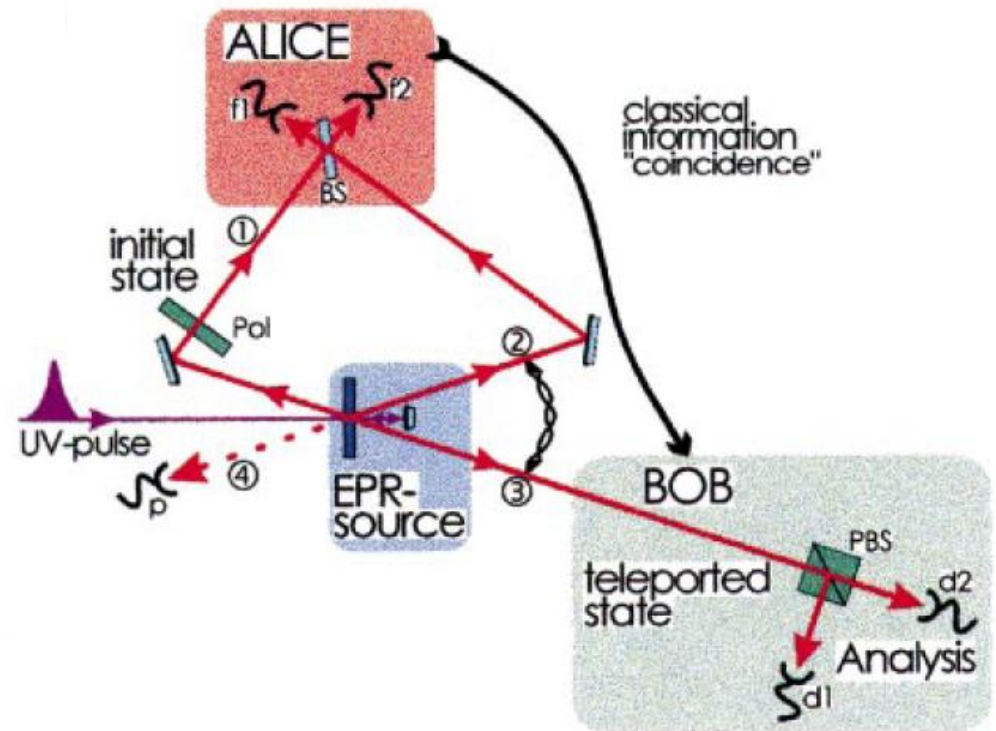
$$\rightarrow |\Psi_s\rangle = \alpha|0_B\rangle + \beta|1_B\rangle$$

- ▶ Alice performs a projective Bell state measurement: Places Bob's qubit is in one of four states
- ▶ Alice sends Bob the measurement outcome
- ▶ Bob can retrieve the source state by unitary operations



Teleportation with Photons

- ▶ Qubits: Polarized photons created by parametric down conversion.
- ▶ Bell state measurement by ALICE:
 - ▶ Only β_{11} (antisymmetric bell state) can be measured.
- ▶ In the event of β_{11} measurement: Teleportation of initial state to BOB.
- ▶ Teleportation achieved at a “fidelity” of 70%, although teleportation is only achieved $\frac{1}{4}$ of the time.

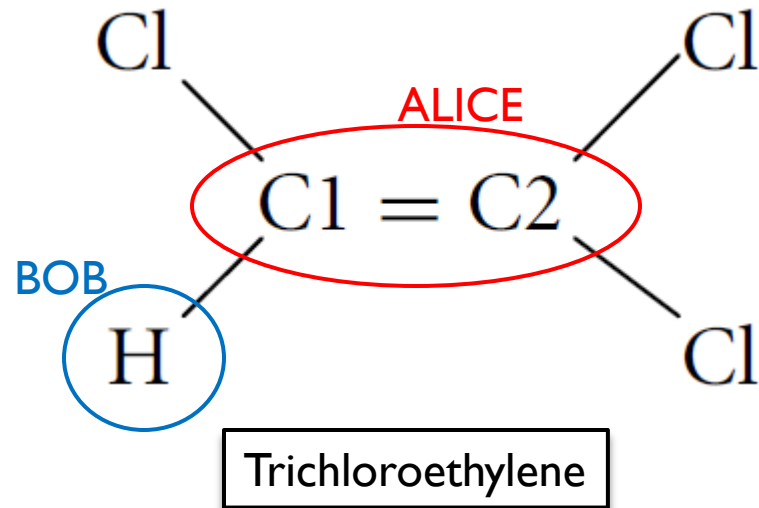


$$\text{ALICE: } |\beta_{11}\rangle = \frac{1}{\sqrt{2}} (|0_{A1}\rangle |1_{A2}\rangle - |1_{A1}\rangle |0_{A2}\rangle)$$

$$\text{BOB: } \rightarrow |\Psi_s\rangle$$

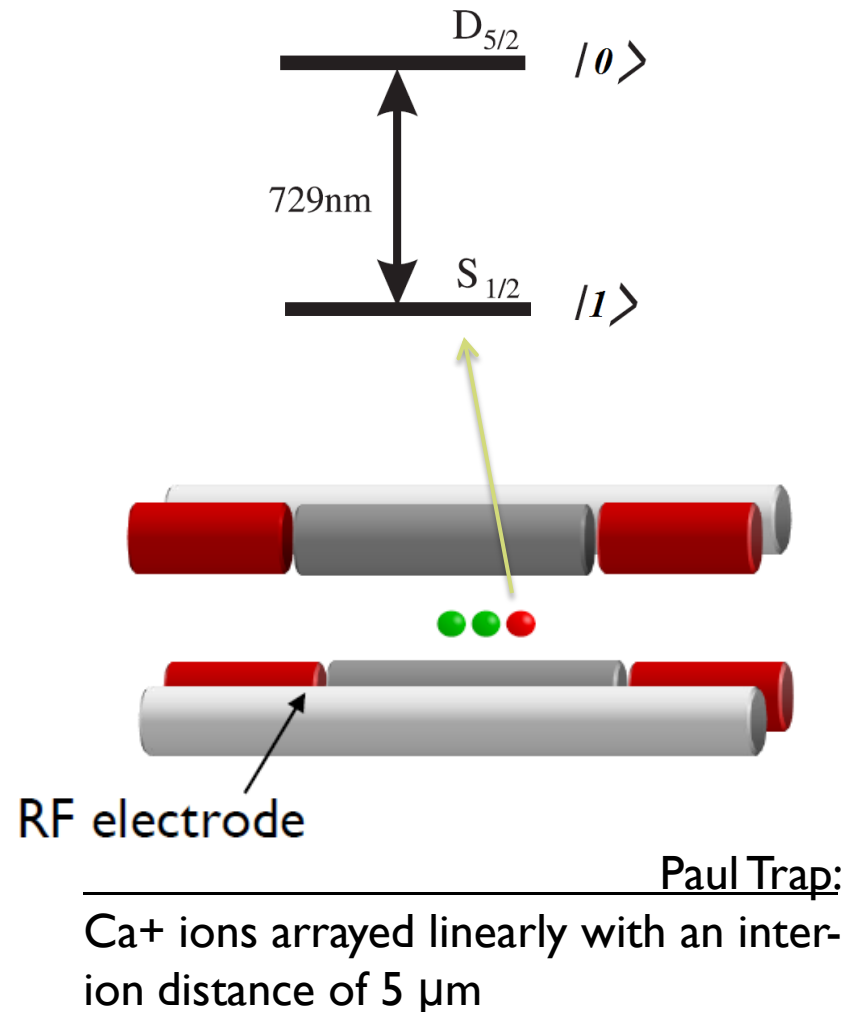
Teleportation in trichloroethylene using NMR

- ▶ Qubit: Two-level nuclear spins.
- ▶ Three inputs:
 - ▶ Data qubit (C_2)
 - ▶ Ancilla (C_1)
 - ▶ Target qubit (H)
- ▶ C_1 and H are entangled.
- ▶ Bell state measurement upon C_1 & C_2 teleports the data state to the target qubit, H.
- ▶ Conditional operations may be done on H, so that the quantum state of C_2 is retrieved.



Teleportation with Ions (1 / 3)

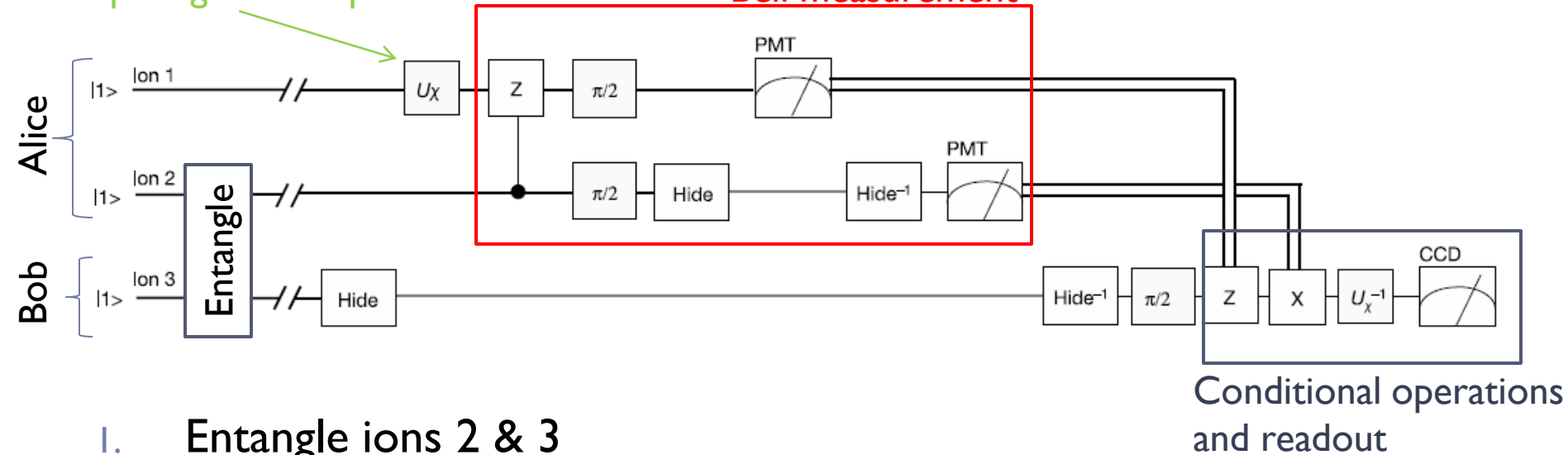
- ▶ Complete, deterministic quantum teleportation.
- ▶ Qubit: Ca^+ ions
- ▶ Paul trap ion arrangement
- ▶ Manipulation by laser pulses
- ▶ Measurement of ion states by fluorescence



Teleportation with Ions (2/3)

Preparing source qubit

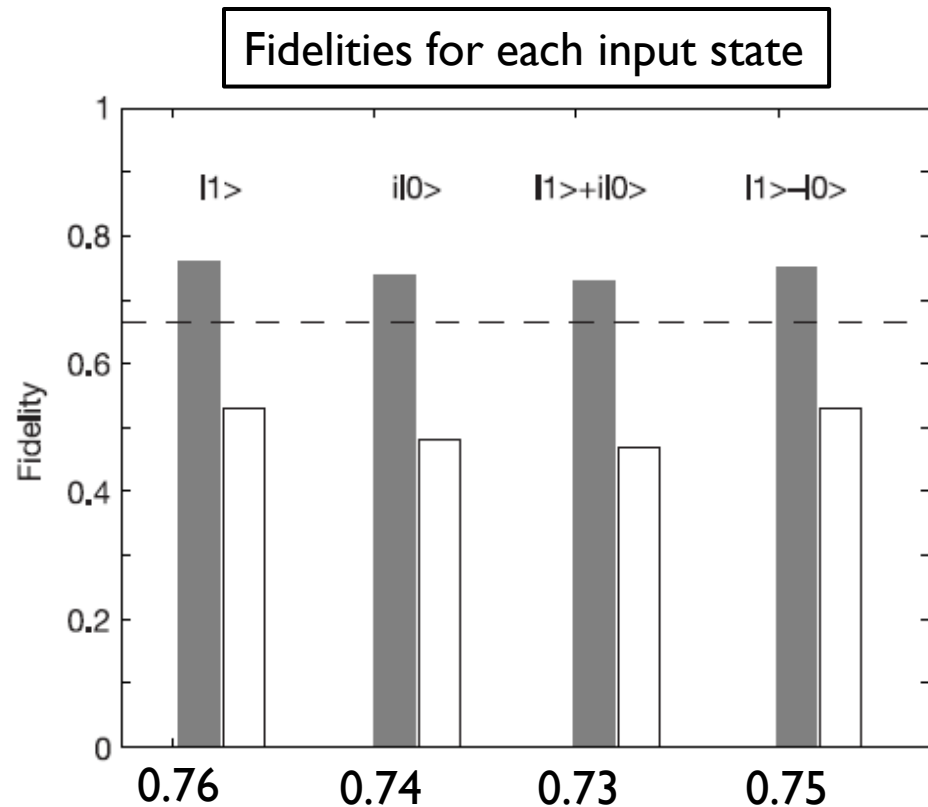
Bell measurement



1. Entangle ions 2 & 3
2. Preparation of source state (ion 1).
3. Bell measurement on ion 1 & 2
4. Classical information transfer from Alice to Bob
5. Conditional operations on ion 3 to retrieve the source state
6. Measurement of source state

Teleportation with Ions (3/3)

- ▶ Source state is varied (also superposition states)
- ▶ Fidelities range between 73% and 76%
 - ▶ Higher than the classical limit of 66.7% (dashed line)
- ▶ Without conditional operations average fidelity is 49.6% (white bars)



Conclusion and Outlook (1 / 2)

- ▶ Different realizations of teleportation have been demonstrated:
 - ▶ Polarized photons
 - ▶ Post selection of data.
 - ▶ No conditional operations.
 - ▶ Trichloroethylene using NMR
 - ▶ Complete, deterministic demonstration.
 - ▶ Teleportation only over very small distances (few Å)
 - ▶ Trapped ions
 - ▶ Complete, deterministic demonstration.
 - ▶ Incorporates most of the techniques required for scalable quantum information processing in an ion-trap system.



Conclusion and Outlook (2/2)

- ▶ Teleportation may be important in potential applications to quantum computation and communication.
- ▶ Higher fidelities may be obtained by optimizing the experimental setup:
 - ▶ Ion trap: Primarily magnetic field fluctuations and laser-frequency noise.
- ▶ This is important for:
 - ▶ Implementation in a quantum computer.
 - ▶ Ruling out hidden variable theories.

